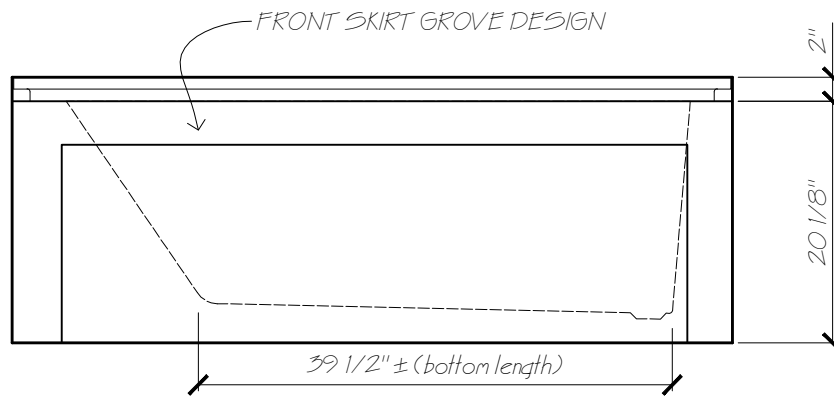
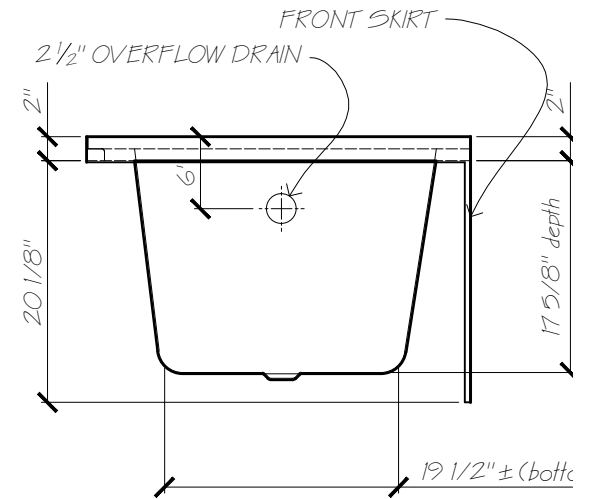


PLAN VIEW



FRONT VIEW



END VIEW



Name: SAANICH32RH

Date: 28-03-14

Scale: 3/4" = 1'

File: Saanich32RH-3d.dwg Drawn: AAJimenez



Phone: 604-854-5757

Fax: 604-852-1850