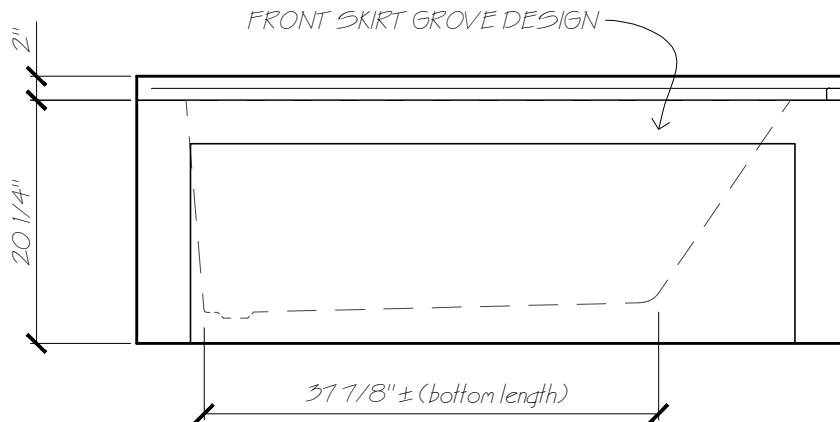
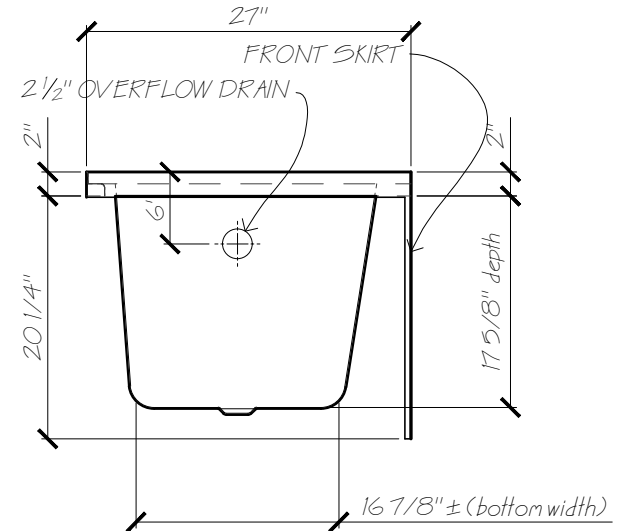


PLAN VIEW



FRONT VIEW



END VIEW



Name: SAANICH27 LH

Date: 05-18-17

Scale: 3/4" = 1'

File: Saanich27LH-3d

Drawn: AAJimenez



Phone: 604-854-5757

Fax: 604-852-1850