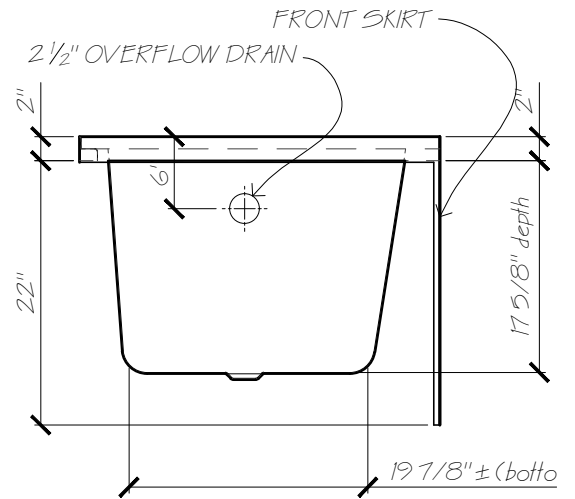
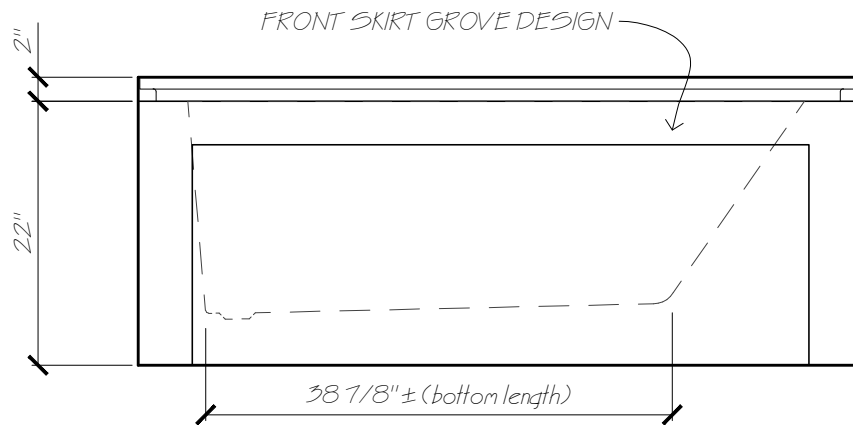


PLAN VIEW



END VIEW



FRONT VIEW



Name: SAANICH30L/H

Date: 28-03-14

Scale: 3/4" = 1'

File: Saanich30LH-3d.dwg Drawn: AAJimenez



Phone: 604-854-5757

Fax: 604-852-1850