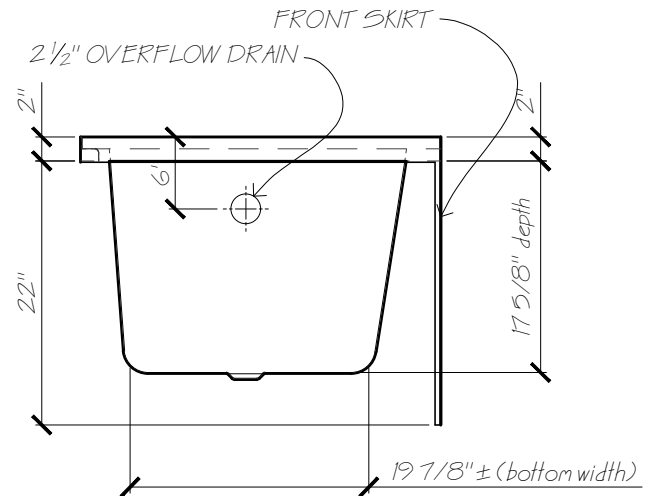
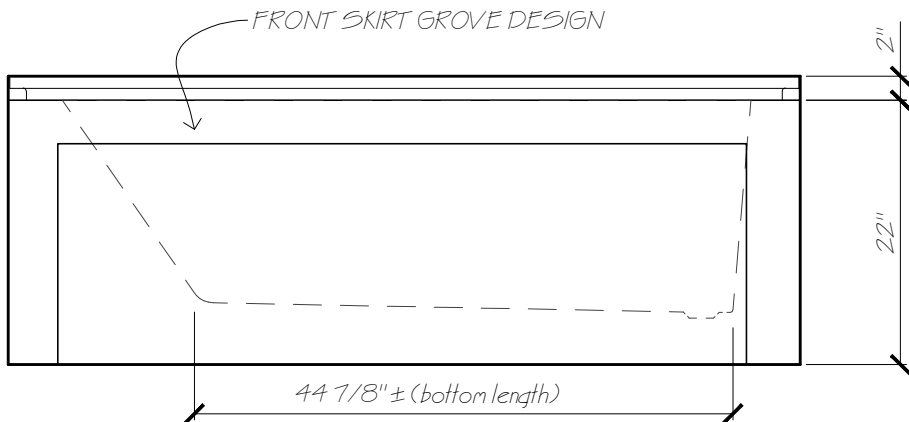


PLAN VIEW



END VIEW



FRONT VIEW



Name: SAANICH6630 RH
 Date: 18-05-17 Scale: 3/4"=1"
 File: Saanich6630RH.dwg Drawn: AAJimenez



Phone: 604-854-5757
 Fax: 604-852-1850