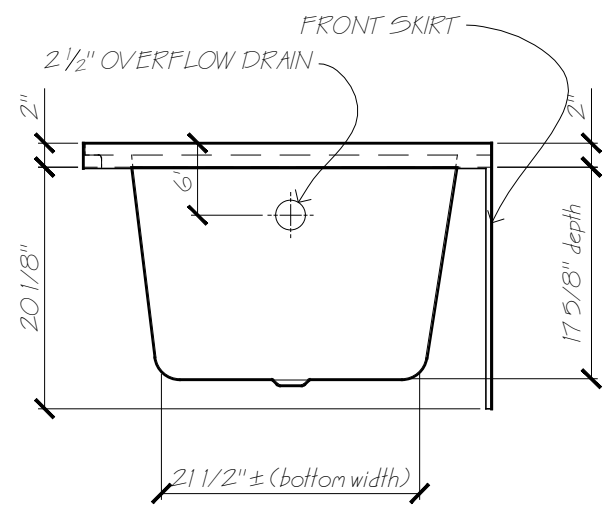
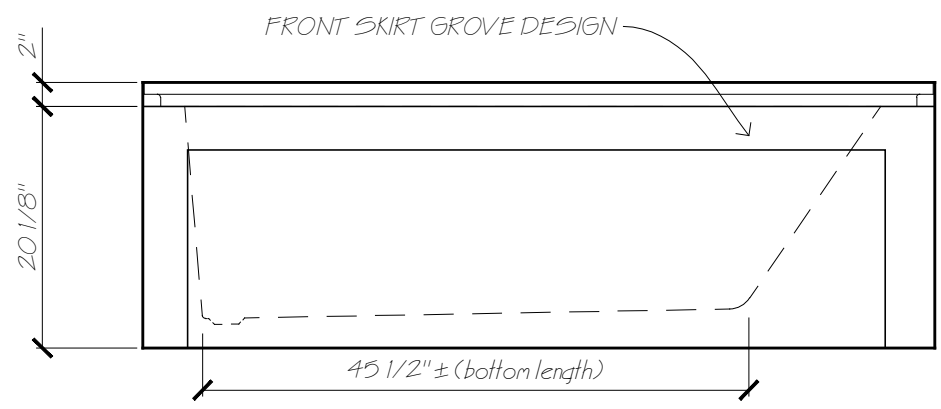


PLAN VIEW



END VIEW



FRONT VIEW



Name: SAANICH6634LH	
Date: 12-06-15	Scale: 3/4" = 1"
File: Saanich6634LH-3d Drawn: AAJimenez	
	Phone: 604-854-5757
	Fax: 604-852-1850