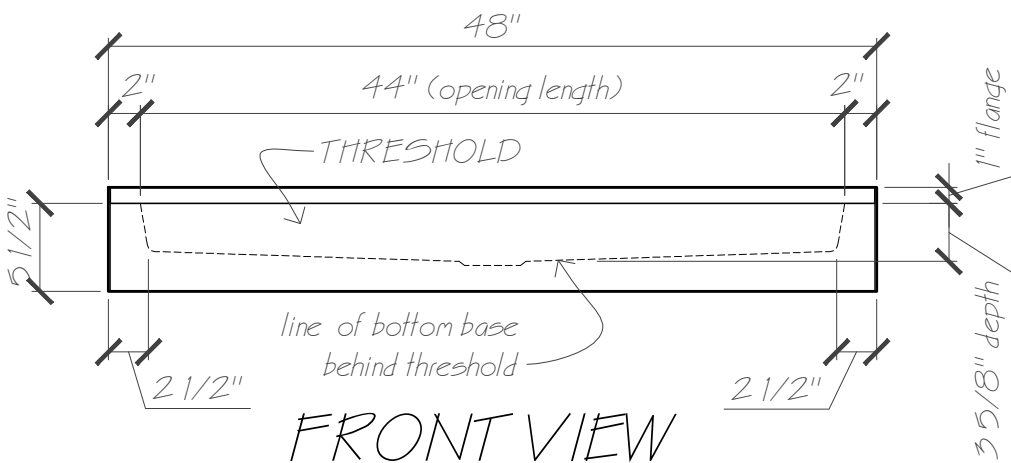
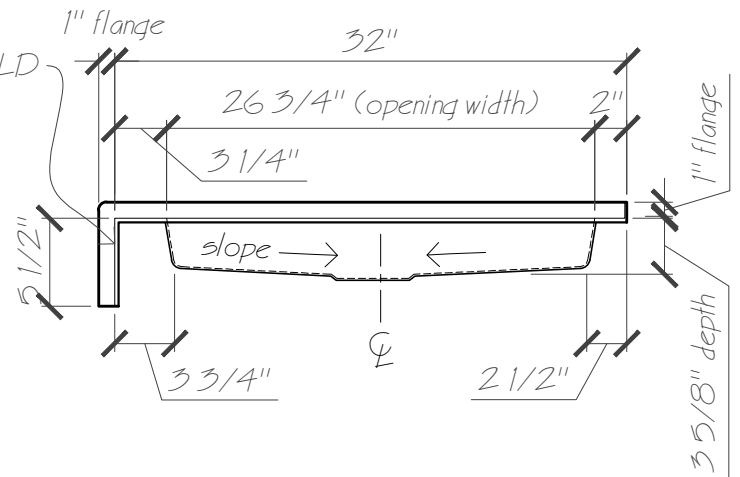


PLAN VIEW



FRONT VIEW



RIGHT END VIEW



Name: SB4832 (Shower Base 48" X 32")

Date: 05-12-12

Scale: 1"=1"

File: SB4832-3d.dwg

Drawn: AA Jimenez



Phone: 604-854-5757

Fax: 604-852-1850