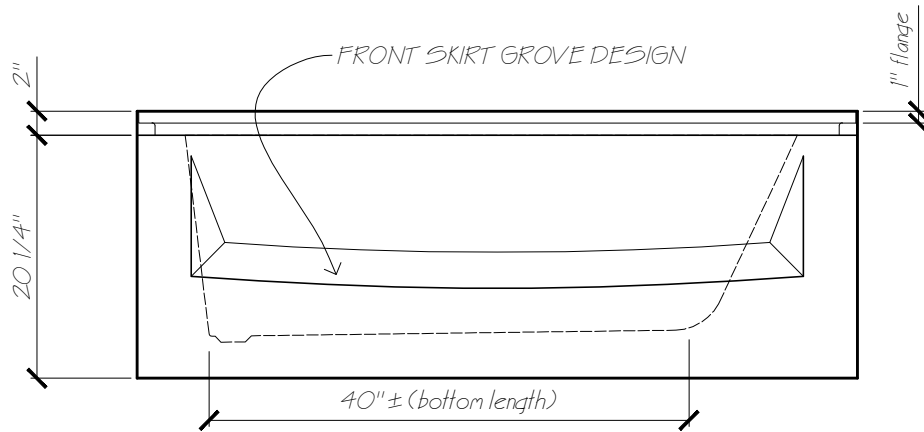
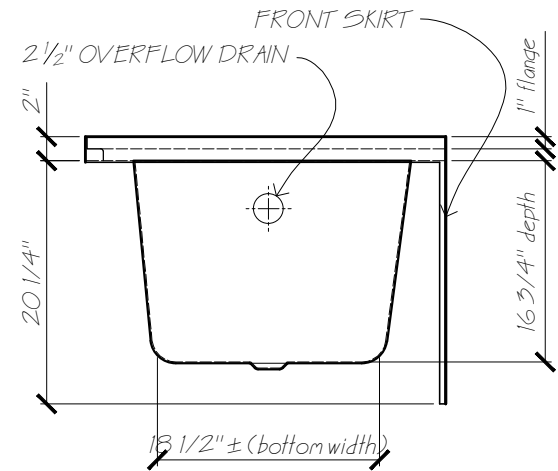


PLAN VIEW



FRONT VIEW



RIGHT END VIEW



Name: LANGLEY L/H

Date: 30-08-12

Scale: 3/4" = 1"

File: langleyLH-3d.dwg

Drawn: AAJ



Phone: 604-854-5757

Fax: 604-852-1850