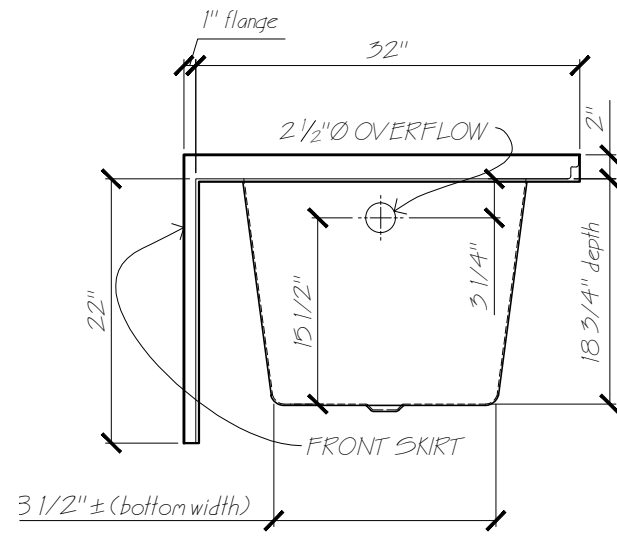
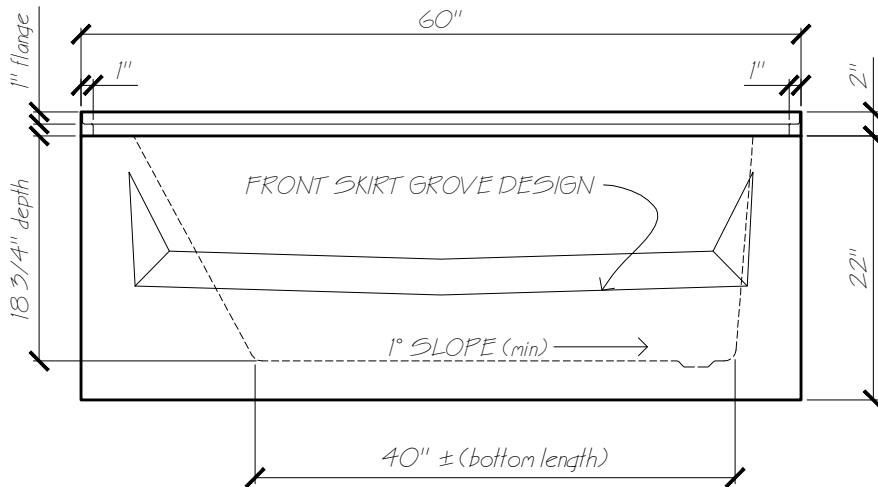


PLAN VIEW



END VIEW



FRONT VIEW



Name: RICHMOND R/H

Date: 24-07-12

Scale: 3/4" = 1"

File: RichmondRH-3d.dwg

Drawn: AAJ



Phone: 604-854-5757

Fax: 604-852-1850