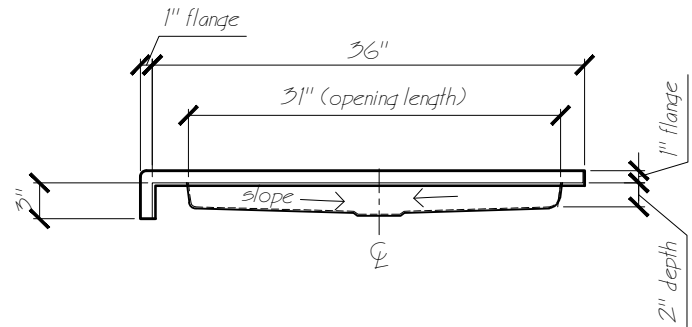
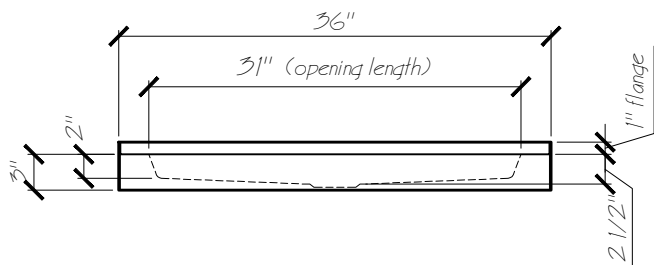


PLAN VIEW



RIGHT END VIEW



FRONT VIEW

Name: SB3636LT (36" X 36" Low Threshold)

Date: 30-04-14

Scale: 3/4" = 1'

File: SB3636LT-3d.dwg Drawn: AAJimenez



Phone: 604-854-5757

Fax: 604-852-1850