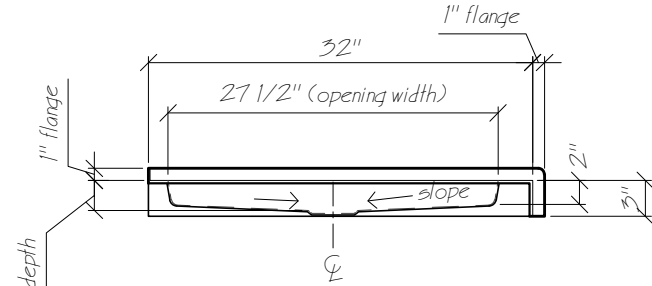
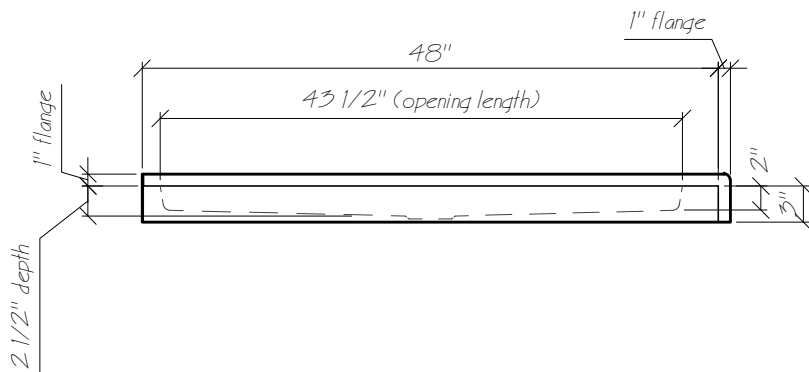


PLAN VIEW



LEFT END VIEW



FRONT VIEW

Name: SB4832DTR(L/T)48x32 Shower Base

Date: 12-06-15

Scale: 3/4" = 1'

File: sb4832dtr(11)

Drawn: AAJimenez



Phone: 604-854-5757

Fax: 604-852-1850