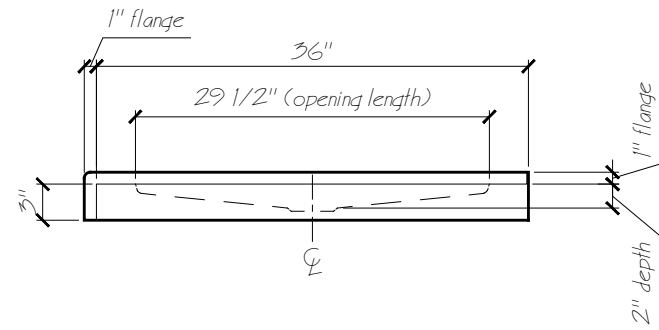
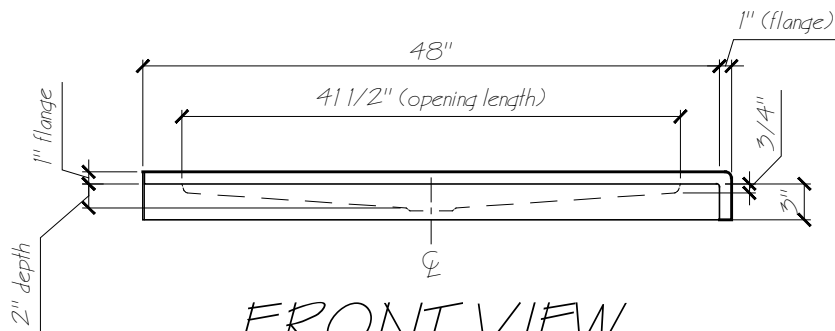


PLAN VIEW



RIGHT END VIEW



FRONT VIEW

Name: SB4836DTR(LT) (Shower Base)

Date: 12-06-15

Scale: 3/4" = 1'

File: SB4836DTR(LT) Drawn: AAJimenez



Phone: 604-854-5757

Fax: 604-852-1850