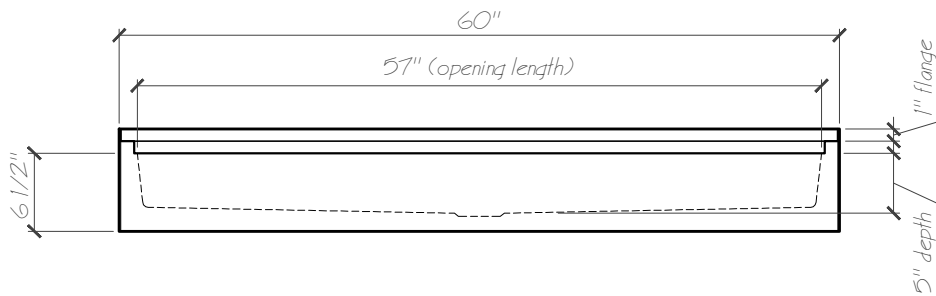
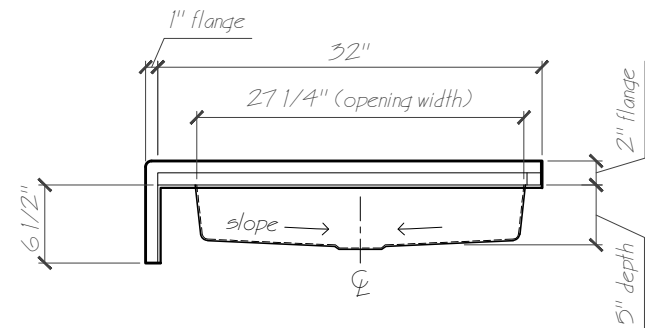


TEXTURED & GROVED
BASE DESIGN

PLAN VIEW



FRONT VIEW



RIGHT END VIEW



Name: SB6032 (Shower Base 60" X 32")

Date: 14-08-12

Scale: 3/4" = 1'

File: SB6032-3d.dwg

Drawn: AA Jimenez



Phone: 604-854-5757

Fax: 604-852-1850