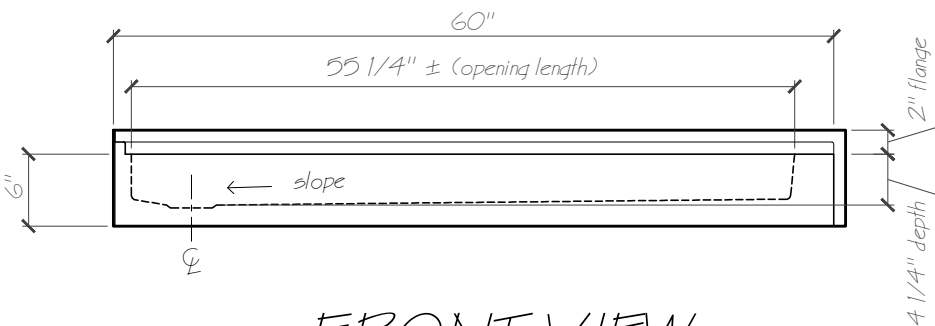
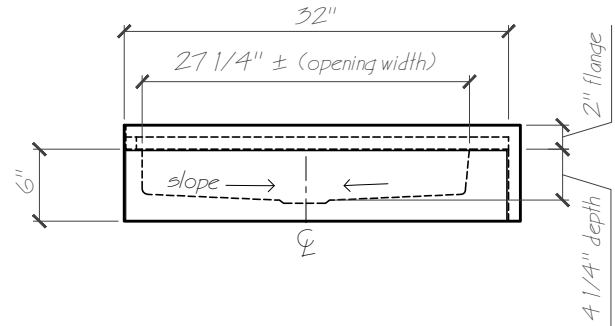


PLAN VIEW



FRONT VIEW



RIGHT END VIEW



Name: SB6032DTR (60x32 Double Threshold)

Date: 19-06-13

Scale: 3/4" = 1"

File: SB6032DTR-3d

Drawn: AA Jimenez



Phone: 604-854-5757

Fax: 604-852-1850