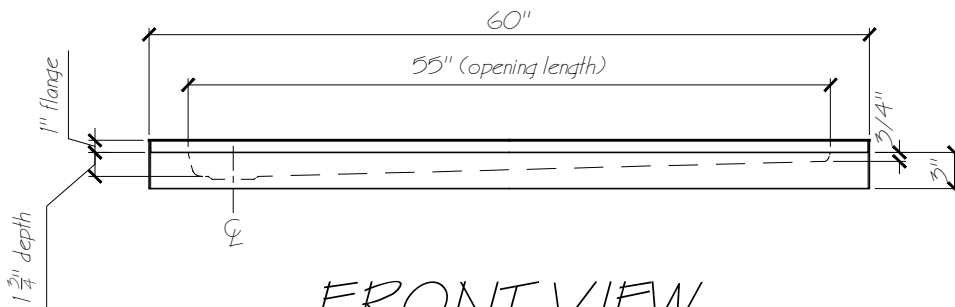
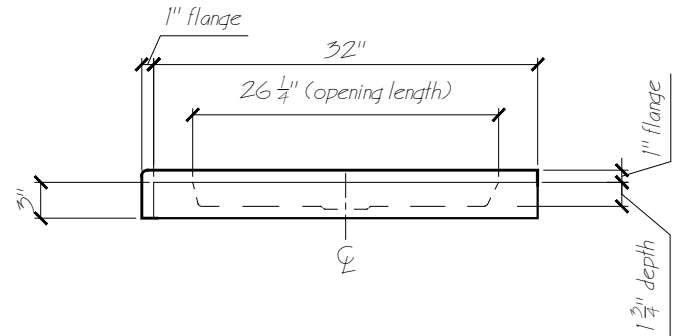


PLAN VIEW



FRONT VIEW



RIGHT END VIEW



Name: SB6032LHD(L/T) (Shower Base)

Date: 08-06-15

Scale: 3/4" = 1"

File: SB6032LHD(L/T) Drawn: AAJimenez



Phone: 604-854-5757

Fax: 604-852-1850