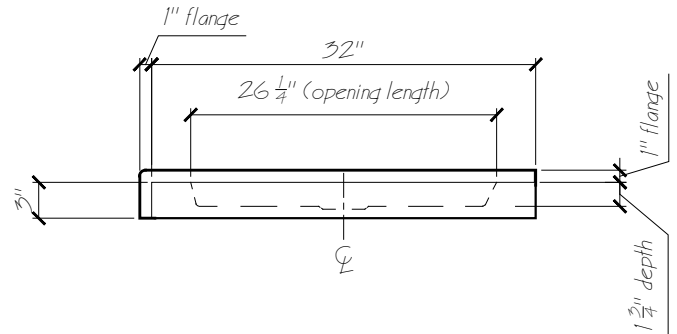


PLAN VIEW



FRONT VIEW



RIGHT END VIEW



Name: SB6032RHD(L/T) (Shower Base)

Date: 08-06-15 Scale: 3/4" = 1'

File: SB6032RHD(L/T) Drawn: AAJimenez



Phone: 604-854-5757

Fax: 604-852-1850