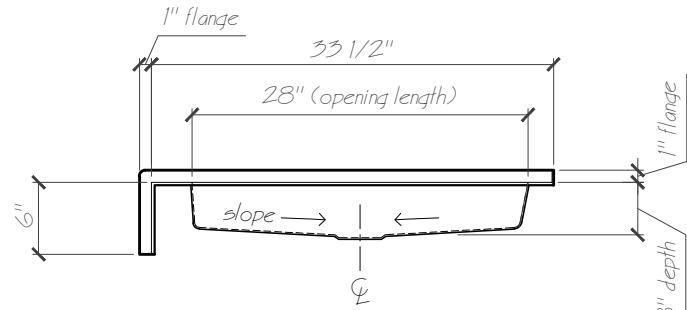
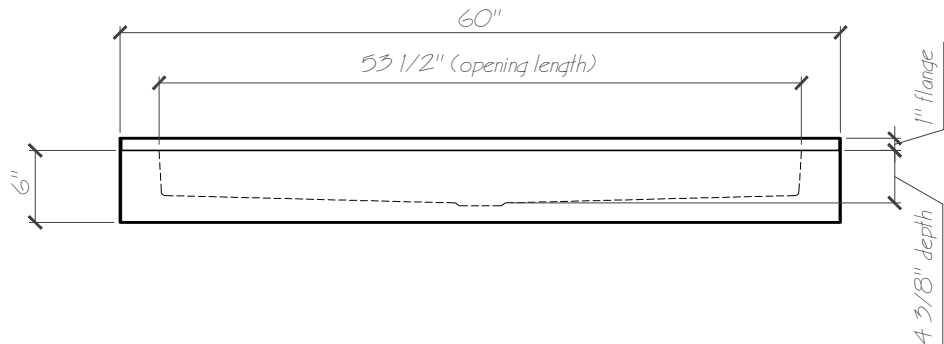


PLAN VIEW



RIGHT END VIEW



FRONT VIEW

Name: SB6034 (Shower Base 60" X 33-1/2")
 Date: 13-08-12 Scale: 3/4" = 1"
 File: SB6034-3d.dwg Drawn: AA Jimenez



Phone: 604-854-5757
 Fax: 604-852-1850