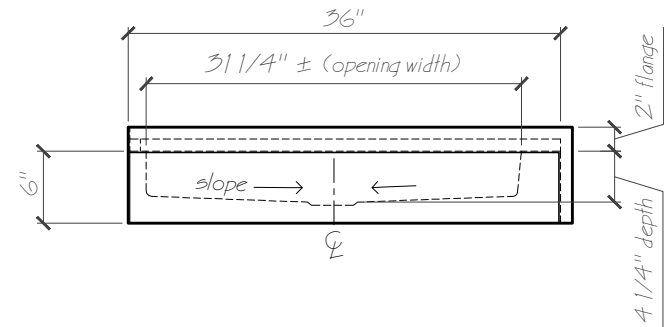
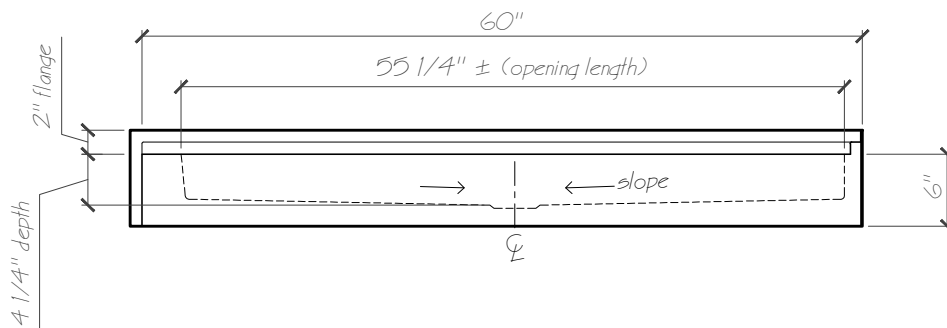


PLAN VIEW



LEFT END VIEW



FRONT VIEW



Name: SB6036DTL (60x36 Double Threshold)

Date: 20-08-12 Scale: 3/4"=1"

File: SB6036DTL-3d.dwg Drawn: AA Jimenez



Phone: 604-854-5757

Fax: 604-852-1850