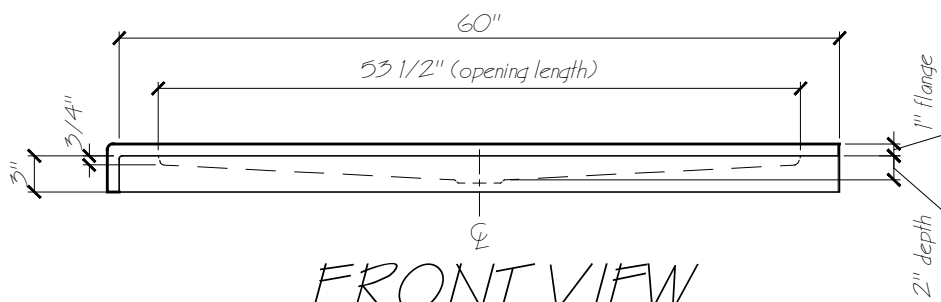
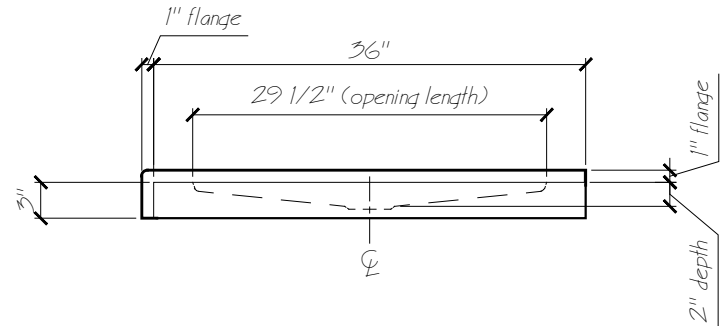


PLAN VIEW



FRONT VIEW



LEFT END VIEW



Name: SB6036DTL(LT) (Shower Base)

Date: 09-06-15 Scale: 3/4" = 1"

File: SB6036DTL(LT) Drawn: AAJimenez



Phone: 604-854-5757

Fax: 604-852-1850