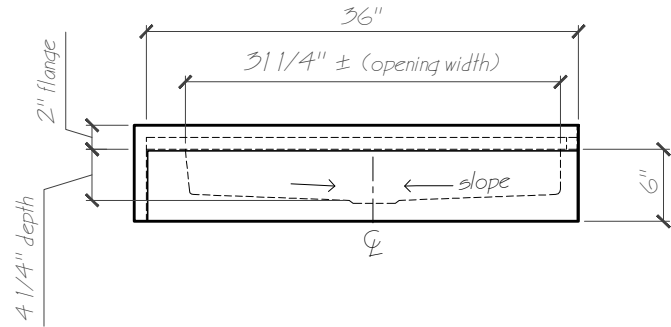
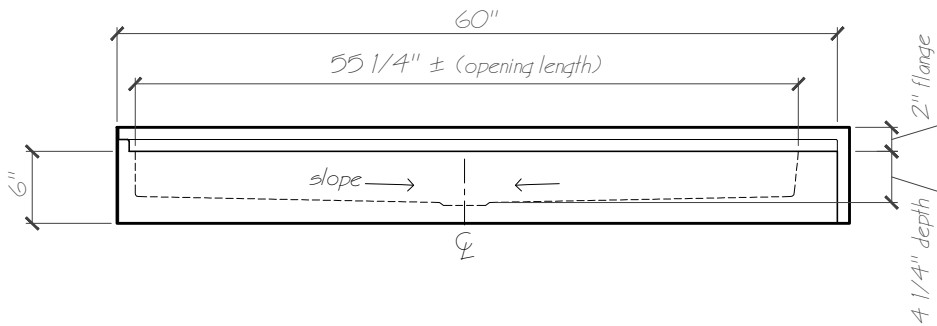


PLAN VIEW



RIGHT END VIEW



FRONT VIEW



Name: SB6036DTR (60x36 Double Threshold)

Date: 21-08-12

Scale: 3/4"=1'

File: SB6036DTR-3d.dwg Drawn: AA Jimenez



Phone: 604-854-5757

Fax: 604-852-1850