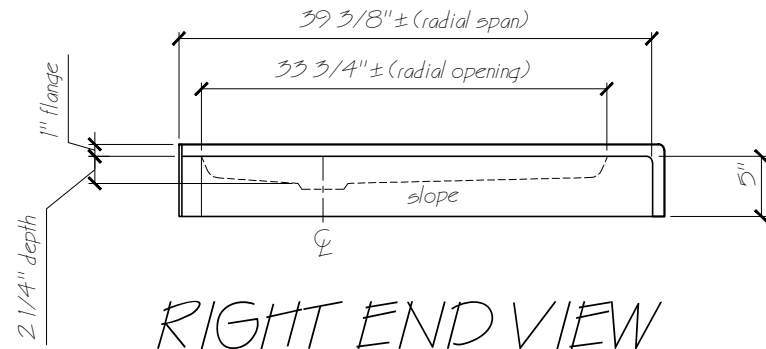
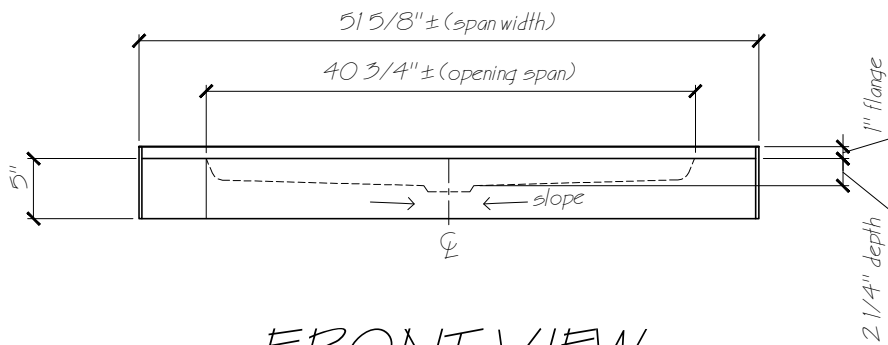


PLAN VIEW



RIGHT END VIEW



FRONT VIEW



Name: SBR36X36 (Round Shower Base)

Date: 12-09-13

Scale: 3/4" = 1'

File: SBR36X36-3d.dwg Drawn: AAJimenez



Phone: 604-854-5757

Fax: 604-852-1850