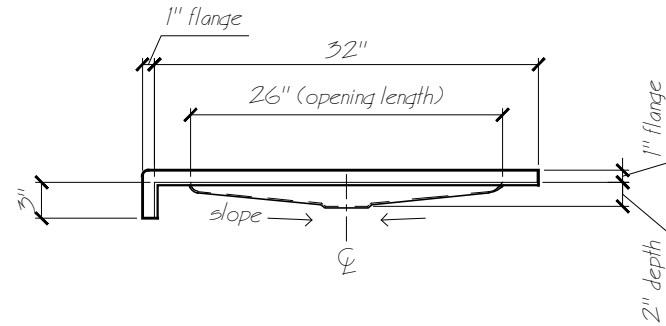
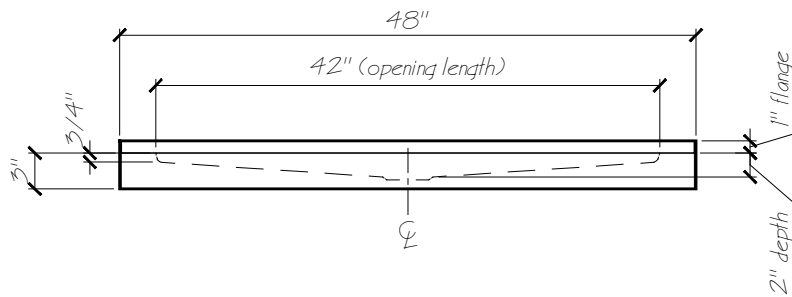


PLAN VIEW



RIGHT END VIEW



FRONT VIEW



Name: SB4832LT (Shower Base)	
Date: 27-07-16	Scale: 3/4" = 1'
File: SB4832LT-3d	Drawn: AAJimenez



Phone: 604-854-5757  
 Fax: 604-852-1850