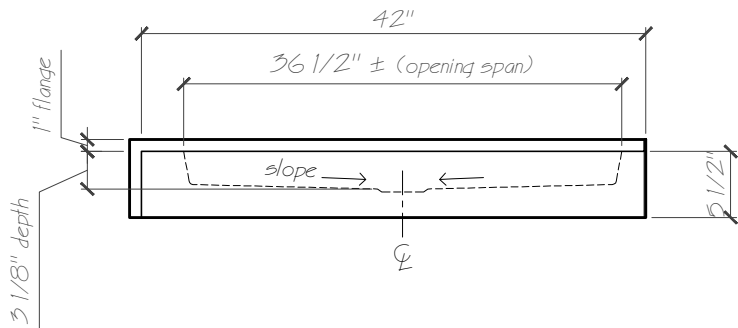
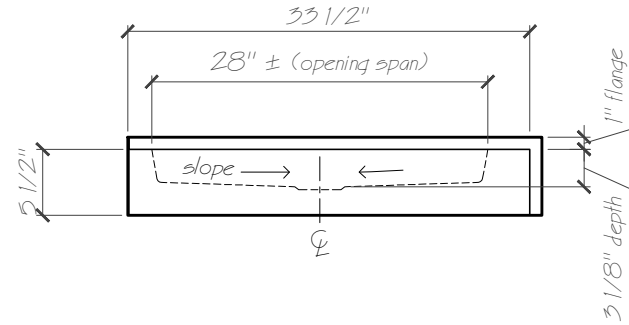


PLAN VIEW



FRONT VIEW



LEFT END VIEW



Name: SB3442DTL (34x42 Double Threshold)

Date: 16-08-12

Scale: 3/4" = 1'

File: SB3442DTL-3d.dwg Drawn: AA Jimenez



Phone: 604-854-5757

Fax: 604-852-1850