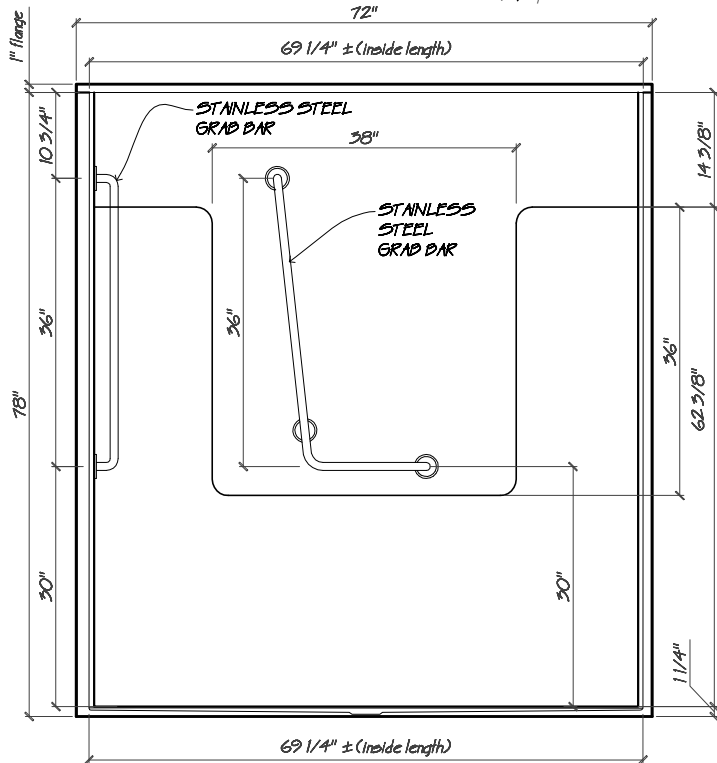
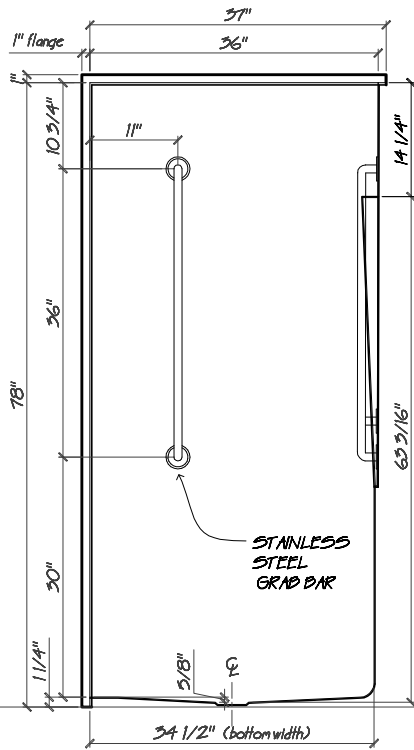


PLAN VIEW
scale: 3/4" = 1"



FRONT VIEW
scale: 1/2" = 1"



LEFT END VIEW
scale: 1/2" = 1"



Name: SS7236CS

Date: 08-03-13

Scale: as shown

File: SS7236CS-3d

Drawn: AA Jimenez



Phone: 604-854-5757
Fax: 604-852-1850